



People who serve, products that solve.™

**TOASTMAX**  
CONVEYOR TOASTER

# TM3 SERIES CONVEYOR TOASTERS



MODEL TM3-10H  
(Stainless Steel-Standard)



MODEL TM3-10H (Black-Optional)



MODEL TM3-10H (Warm Red-Optional)



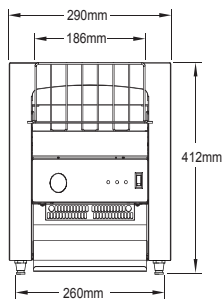
## Features

- "Color Guard" system assures toast uniformity
- Power-save mode with indicator light saves energy during off-peak period
- Bread and bun toast options
- 300-400 slices per hour toast capacity
- 2" and 3" opening height
- Built-in fan provides cool surface temperature
- Variety of Designer colors to match your decoration. Stainless steel as standard with Black or Warm Red Designer colors as optional

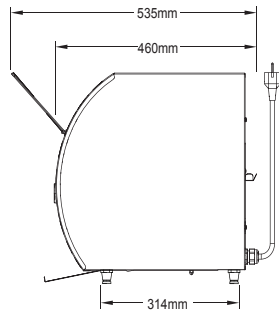


# TOAST-MAX™ CONVEYOR TOASTERS

Models TM3-5,-5H, TM3-10, -10H

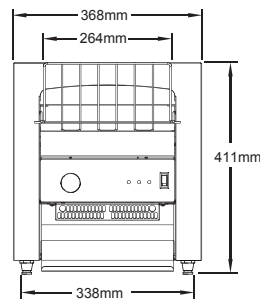


Front View

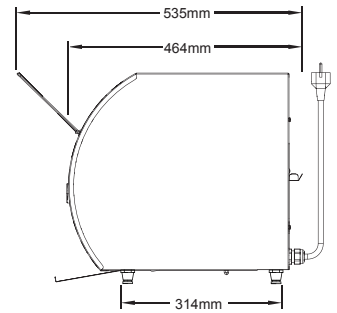


Side View

Models TM3-5,-5H



Front View



Side View

Models TM3-10,-10H

## SPECIFICATIONS

Model	Volts	Watt	Amps	Hz
TM3-5,5H	220-240V	1320-1575W	6.0-6.6A	50-60Hz
TM3-10,10H	220-240V	1920-2285W	8.7-9.5A	50-60Hz

## COLOR OPTIONS

Stainless Steel--Standard  
 Black-Optional  
 Warm Red-Optional

## DIMENSIONS

TM3-5,5H: 290 W x 460 D x 412 mm H  
 TM3-10,10H: 338 W x 464 D x 411 mm H

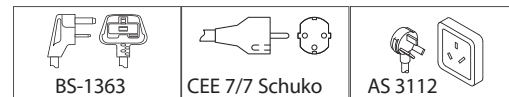
## OPENING HEIGHT

TM3-5,5H: 245 W x 54 mm H, 245 W x 76 mm H  
 TM3-10,-10H: 245 W x 54 mm H, 245 W x 76 mm H

## CORD LOCATION

Left side of back of unit

## PLUG CONFIGURATIONS



## CAPACITY

TM3-5: 230-280 slices per hour  
 TM3-5H: 190-230 slices per hour  
 TM3-10: 390-460 slices per hour  
 TM3-10H: 290-350 slices per hour



HATCO CORPORATION P.O. Box 340500 Milwaukee, WI 53234-0500 U.S.A. • (414) 671-6350  
 Int'l. Fax (414) 671-3976 • www.hatcocorp.com • E-mail: intlsales@hatcocorp.com